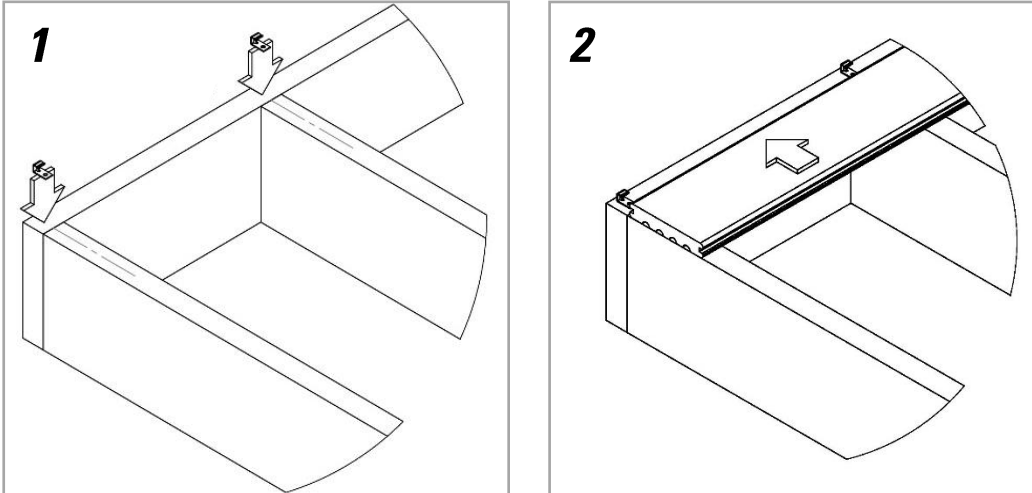


TURBOCLIP INSTALLATION

For complete and up-to-date installation and warranty information please visit www.turboclipusa.com

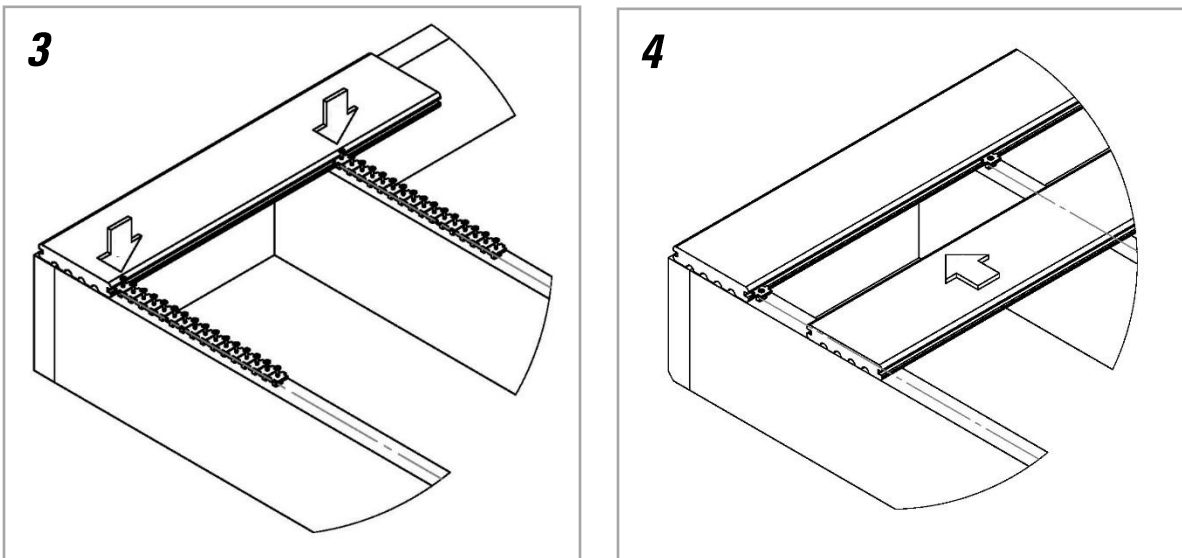


STEP 1


Start at the end of the deck away from the house. First, place the TurboClip® Starter Clip on the joist 1/4" from the outside edge of the deck frame. Align the screw with the center of the perpendicular joist and secure. Continue across the length of the deck frame using one (1) Starter clip at every cross joist. Be sure to align the starter clips so that the deck boards are installed level across the lineal path.

STEP 2

Push the first deck board into the starter clip.



STEP 3

Insert TurboClip® Hidden Deck Clip into the side groove of the board. The  arrow on each clip indicates which side to insert. Align the screw with the center of the joist. Drive the screw so that the head is flush with the clip. **DO NOT OVERDRIVE SCREW.** Overdriving screws will cause clip failure. Pull up, twist and snap off the remaining TurboClip® stick.

STEP 4

Slide the next deck board into place. Continue across the length of the deck board. Continue to measure the distance to home and adjust accordingly so the last board doesn't have to be trimmed lengthwise at an angle.